

S-M40 SERIES



4-Axis In-Line RF/Microwave Positioner

The S-M40 has been specifically engineered for the unique demands of high-frequency testing, rather than just modified from an existing DC design. Extended length cross-roller bearings, captive leadscrews, and increased mass insure non-resonant performance to W-Band and beyond.



PERFORMANCE, QUALITY, VALUE

SIGNATONE[®]

Advanced Microprobing Solutions Since 1968

S-M40 SERIES



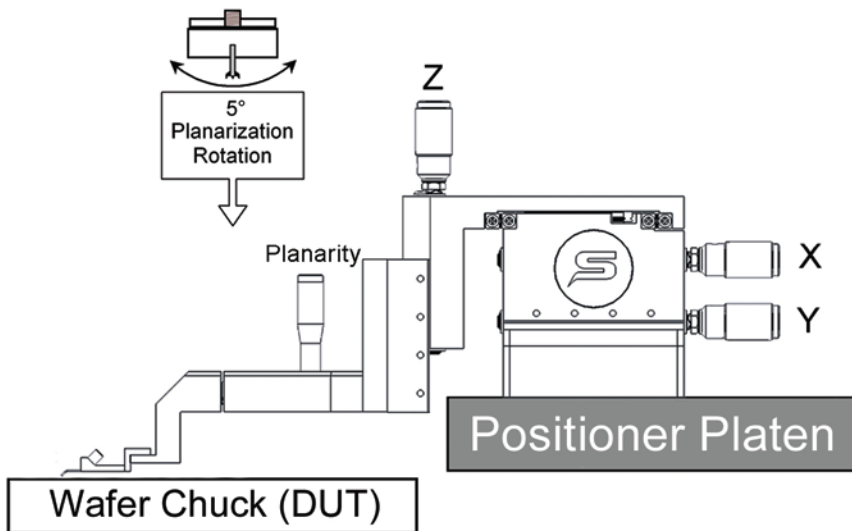
Specifications

S-40M-XM

Travel Range, X, Y, Z:	1" (25mm), 40 Turns/Inch
Planarization Range:	5° (.001° Resolution)
X,Y,Z Resolution:	2μ
Orientation:	E/W (0°) & N/S (90°)
Standard Base: HM	Bolt-Down
Optional Base: MM	Magnetic (Lever-actuated rare-earth magnet)

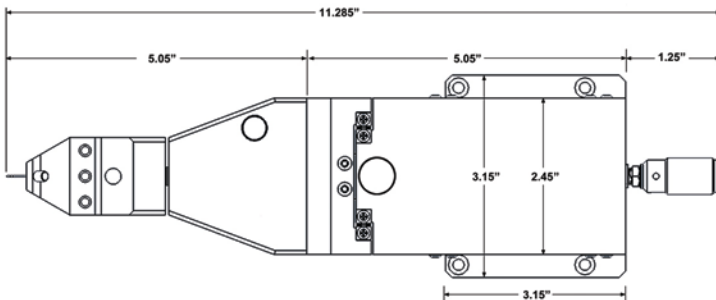
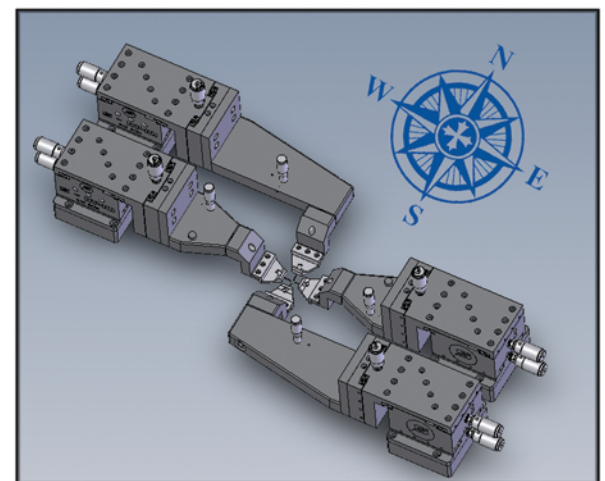
The Model S-40M is the latest enhancement in SIGNATONE's RF/mmWave tool set. The in-line positioner design requires less space than earlier models, freeing up more platen area for DC positioners. It also eliminates potential knob conflicts that can cause problems when migrating from 2-port to 4-port setups.

Typical Application



An optional "switchable" magnetic base utilizes a neodymium rare-earth magnet. This allows for easy coarse placement of the positioner, which is then locked into place with the simple flip of a lever. Unlike typical magnetic designs, there is no loss of high-frequency performance, due to the strength of the magnetic bond. This extends non-resonant performance to beyond 67 GHz.

Orientation



SIGNATONE

393-J Tomkins Court, Gilroy CA 95020

Phone: 408-848-2851 Fax: 408-848-5763

E-Mail: sales@signatone.com WWW: <http://www.signatone.com>