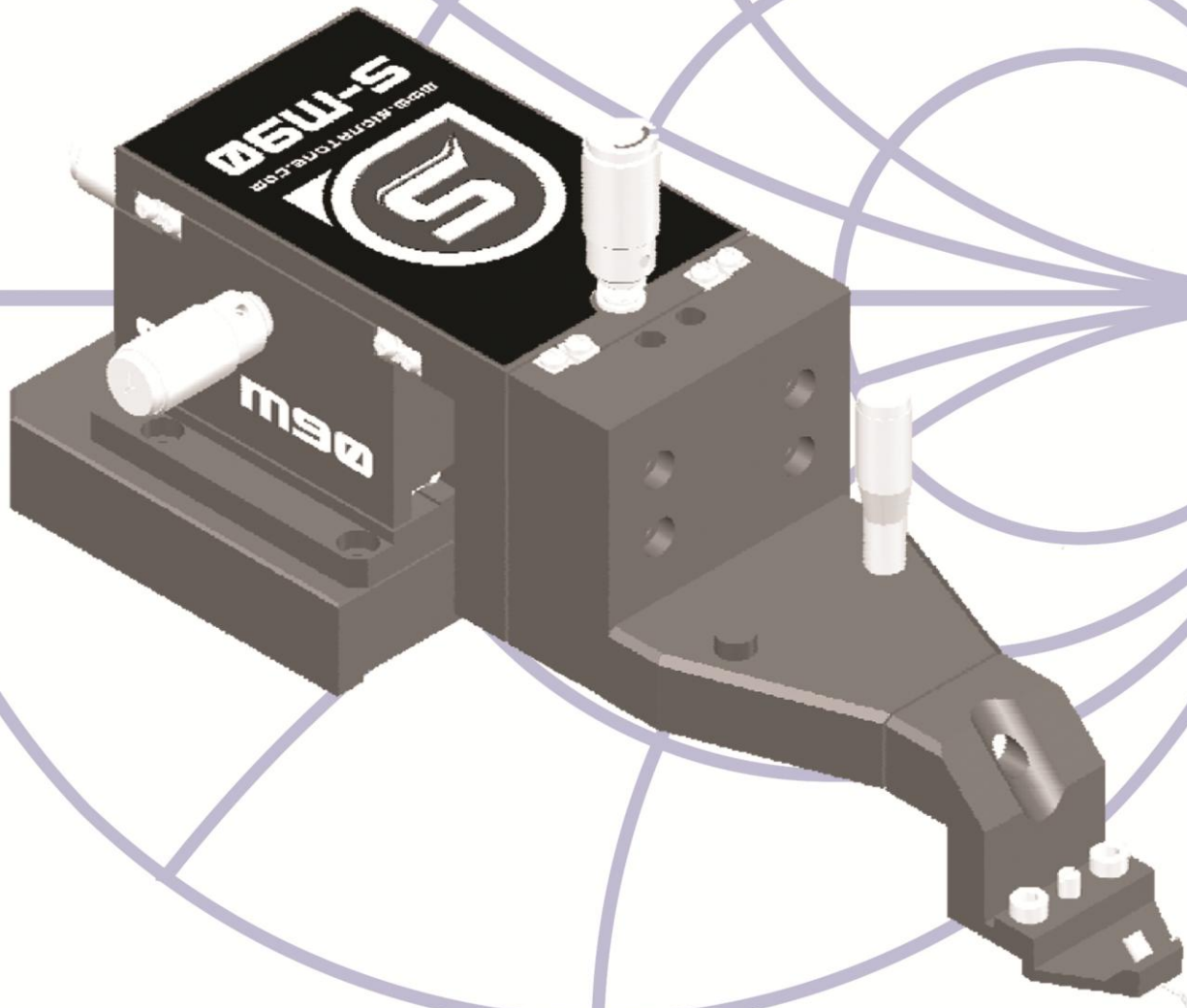


S-M90 SERIES



4-Axis RF/Microwave Micropositioner

The S-M90 has been specifically engineered for the unique demands of high-frequency testing, rather than just modified from an existing DC design. Oversized cross-roller bearings, captive leadscrews, and increased mass insure non-resonant performance to W-Band and beyond.



PERFORMANCE, QUALITY, VALUE

SIGNATONE®

Advanced Microprobing Solutions Since 1968

S-M90 SERIES



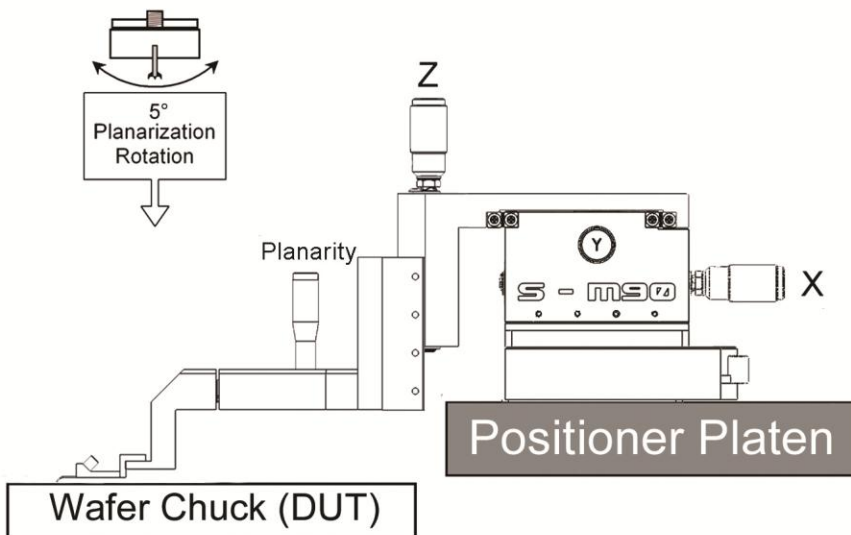
Specifications

S-M90-SXM-Orientation

Travel Range, X, Y, Z:	1" (25mm), 40 Turns/Inch
Planarization Range:	5° (.001° Resolution)
X,Y,Z Resolution:	2μ
Orientation:	E/W (0°) & N/S (90°)
Standard Base: HM	Bolt-Down
Optional Bases: MM	Magnetic (Lever-actuated rare-earth magnet)
	OM Optical table bolt-down base

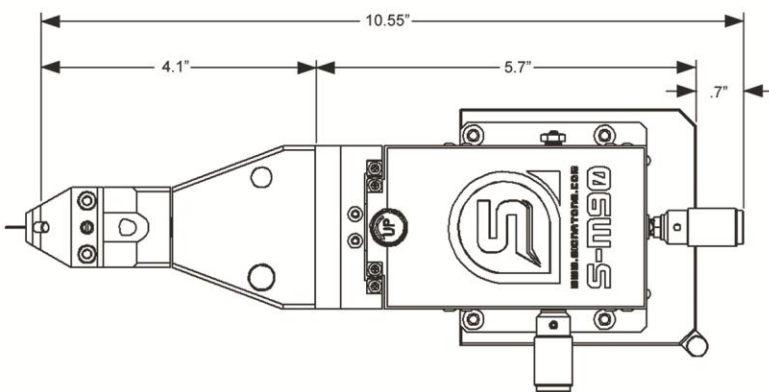
Based on SIGNATONE's highly successful S-M40 design, the Model S-M90 is intended for users that have requested orthogonal X/Y control. The use of over-sized cross-roller bearings insures the ultimate in precision and control of probe positioning, while the direct-drive leadscrew design virtually eliminates backlash and hysteresis.

Typical Application



An optional "switchable" magnetic base utilizes a neodymium rare-earth magnet. This allows for rapid coarse placement of the positioner, which is then locked into place with the simple flip of a lever. Unlike typical magnetic designs, there is no loss of high-frequency performance, due to the strength of the magnetic bond. This extends non-resonant performance to beyond 110 GHz.

Orientation



SIGNATONE

393-J Tomkins Court, Gilroy CA 95020

Phone: 408-848-2851 Fax: 408-848-5763

E-Mail: sales@signatone.com WWW: <http://www.signatone.com>