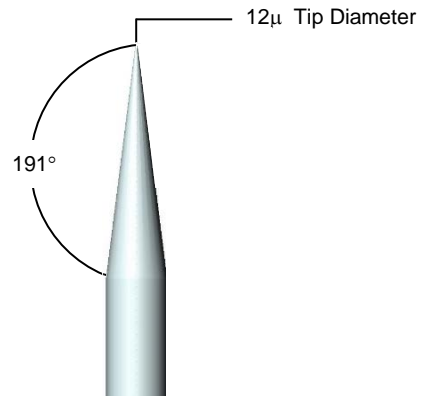


## Signatone Multi Purpose Probe Tips

### ❖ Model SE-TC

- Material-Tungsten Carbide
- Point /Tip - Diameter = 12μ
- Length = 31.75mm / 1.25"
- Shank Diameter = 0.63mm
- Fabrication - Precision Ground
- Typical Use - 12μ to 100μ Pad - Metal
- Typical Test – General, high temperature



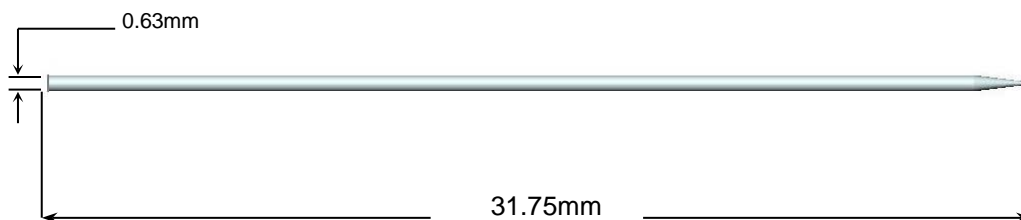
### ❖ A Tip for Every Test

Model SE-TC (Ground Tip)

**Offering a wide variety of passive probe tips to suit virtually every probing requirement.**

The most common style probe tip (referred to as "Hard-TIP") includes a taper or angle from the probe shaft to the tip. This effect is achieved by etching or a grinding process on the material allowing more mass at the tip end. (recommended for probing through passivation or hard materials)

The SE-TC is a general-purpose **hard** probe tip made with a 31.75mm /1.25" long, 0.63mm diameter tungsten carbide wire that has been precision ground down to 12μ (micron). The shank is brittle-often used in high temperature applications and penetrating through passivation. This is a specialized "precision ground tip", Typical structure sizes 12μ to 100μ lines and pads.



Tips are sold by the box including quantity of 5 tips

## ❖ WARRANTY

---

- Standard Warranty 12 months \*
- Note: Probe Tips, Probe Tip Holders, and 4-Point Probe Heads are considered consumable items and are not covered under the standard warranty

*\* See Signatone Corporate Terms and Conditions of Sale for further details.*

---

- **North America:** [Sales.NA@signatone.com](mailto:Sales.NA@signatone.com)
- **Europe:** [Sales.Europe@signatone.com](mailto:Sales.Europe@signatone.com)
- **Asia:** [Sales.Asia@signatone.com](mailto:Sales.Asia@signatone.com)

