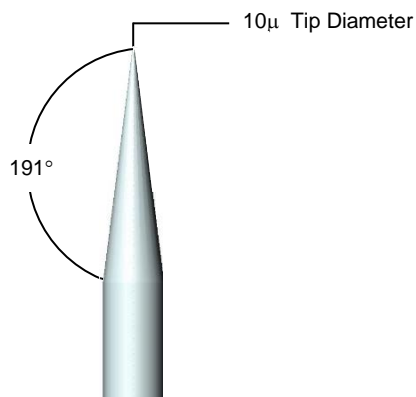


Signatone Multi Purpose Probe Tips

❖ Model SE-TG

- Material-Gold Plated Tungsten
- Point /Tip - Diameter = 10μ
- Length = 19mm / 0.75"
- Shank Diameter = 0.51mm
- Fabrication - Precision Ground
- Typical Use - 25μ to 400μ Pad - Metal
- Typical Test – General, DC, Hi Power



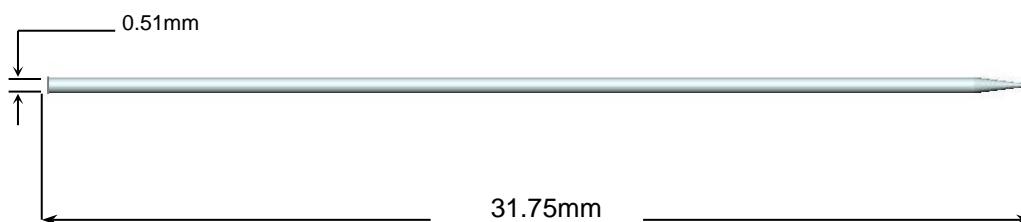
❖ A Tip for Every Test

Model SE-TG (Ground Tip)

Offering a wide variety of passive probe tips to suit virtually every probing requirement.

The most common style probe tip (referred to as "Hard-TIP") includes a taper or angle from the probe shaft to the tip. This effect is achieved by etching or a grinding process on the material allowing more mass at the tip end. (recommended for probing through passivation or hard materials)

The SE-TG is a Unique Probe tip made with a 31.75mm /1.25" long, 0.51mm diameter Gold Plated Tungsten wire that has been precision ground down to 10μ (micron). The shank may be bent into a variety of shapes to meet the most probing configurations This tip is designed for probing on (soft materials). typical 25μ to 400μ pads or structures.



Tips are sold by the box including quantity of 5 tips



❖ WARRANTY

- Standard Warranty 12 months *
- Note: Probe Tips, Probe Tip Holders, and 4-Point Probe Heads are considered consumable items and are not covered under the standard warranty

** See Signatone Corporate Terms and Conditions of Sale for further details.*

- **North America:** Sales.NA@signatone.com
- **Europe:** Sales.Europe@signatone.com
- **Asia:** Sales.Asia@signatone.com

