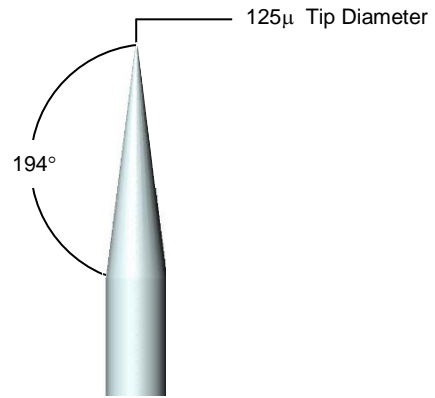


Signatone Multi Purpose Probe Tips

❖ Model SE-20BCB

- Material-Beryllium Copper
- Point /Tip - Diameter = 125μ
- Length = 19mm / 0.75"
- Shank Diameter = 0.51mm
- Fabrication - Precision Ground
- Typical Use - 200μ to 1000μ Pad - Metal
- Typical Test – General, DC, Hi Power



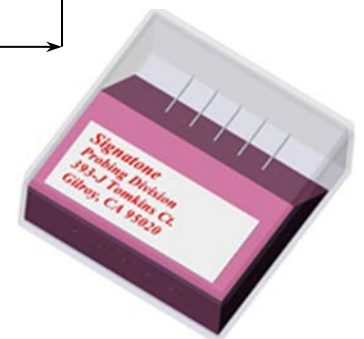
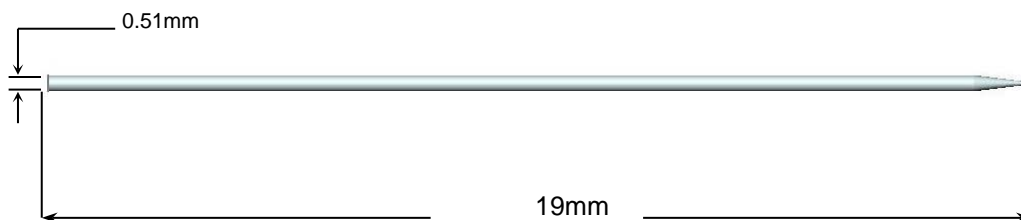
❖ A Tip for Every Test

Model SE-20BCB (Ground Tip)

Offering a wide variety of passive probe tips to suit virtually every probing requirement.

The most common style probe tip (referred to as "Hard-TIP") includes a taper or angle from the probe shaft to the tip. This effect is achieved by etching or a grinding process on the material allowing more mass at the tip end. (recommended for probing through passivation or hard materials)

The SE-20BCB is a Unique Probe tip made with a 19mm /0.75" long, 0.51mm diameter Beryllium Copper wire that has been precision ground down to 125μ (micron). The shank may be bent into a variety of shapes to meet the most complex probing configurations This tip is designed for high current probing or on special (soft materials). typical 200μ to 1000μ pads or structures.



Tips are sold by the box including quantity of 5 tips

❖ WARRANTY

- Standard Warranty 12 months *
- Note: Probe Tips, Probe Tip Holders, and 4-Point Probe Heads are considered consumable items and are not covered under the standard warranty

** See Signatone Corporate Terms and Conditions of Sale for further details.*

- **North America:** Sales.NA@signatone.com
- **Europe:** Sales.Europe@signatone.com
- **Asia:** Sales.Asia@signatone.com

