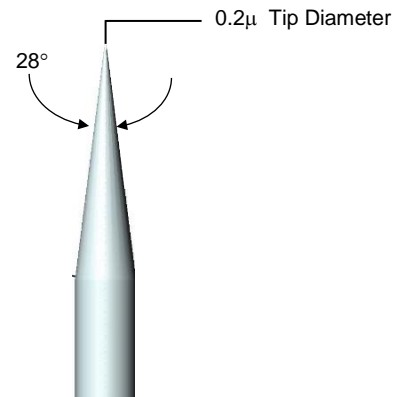


Signatone Multi Purpose Probe Tips

❖ Model SM-10

- Material-Tungsten Tip
- Point /Tip - Diameter = 0.2μ
- Length = 30.5mm / 1.2"
- Shank Diameter = 0.51mm
- Fabrication – Chemical Etch
- Typical Use - .2μ to 1.5μ delicate structures
- Typical Test – Special, DC, CV/IV



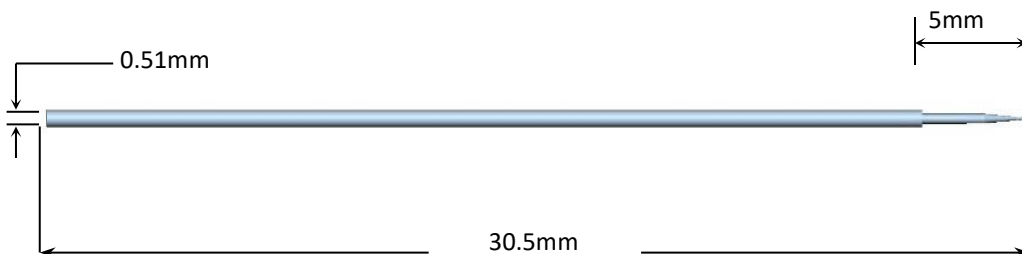
❖ A Tip for Every Test

Model SM-10 (Etched Tip)

Offering a wide variety of passive probe tips to suit virtually every probing requirement.

This uncommon style probe tip (referred to as "Cat Whisker") includes a small wire welded to a larger wire that is tapered to a fine tip. This effect/ taper is achieved by a very precise etching process (recommended for probing delicate line or structures.)

The SM-10 is a Special-purpose "**Cat Whisker**" probe tip with an overall length of 30.5mm/ 1.2" made with a 0.51mm diameter nickel plated copper wire that includes a 0.127mm tungsten wire welded to the end of the shank. The tip has been chemically etched to 0.2μ. The shaft may be bent to support virtually any probing configuration. The flexible tip minimizes damage to integrated circuits and allows probing of the device for a much longer period of time. Typical use: probing submicron – delicate



Tips are sold by the box including quantity of 5 tips



❖ WARRANTY

- Standard Warranty 12 months *
- Note: Probe Tips, Probe Tip Holders, and 4-Point Probe Heads are considered consumable items and are not covered under the standard warranty

** See Signatone Corporate Terms and Conditions of Sale for further details.*

- **North America:** Sales.NA@signatone.com
- **Europe:** Sales.Europe@signatone.com
- **Asia:** Sales.Asia@signatone.com

