

## High Performance Microwave Probes for RF probing

### ❖ Model SP-1100BT

- Durable
- 750 GHz to 1100 GHz (1.1THz)
- Individually spring loaded contacts
- Bias T option available
- Rugged Coaxial design



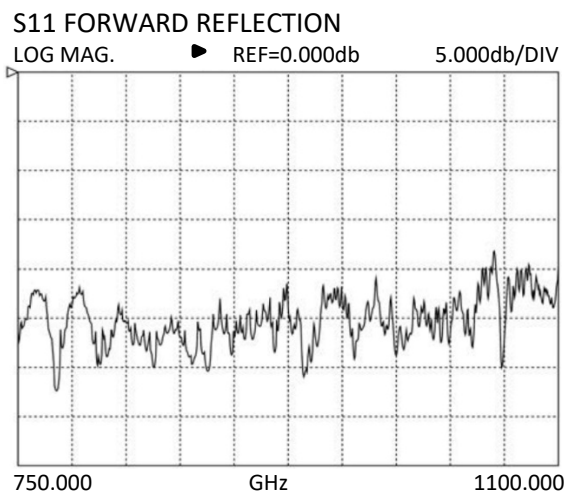
### ❖ Flexible Tips for Flexible Probing

Model SP-1100BT (with bias T)

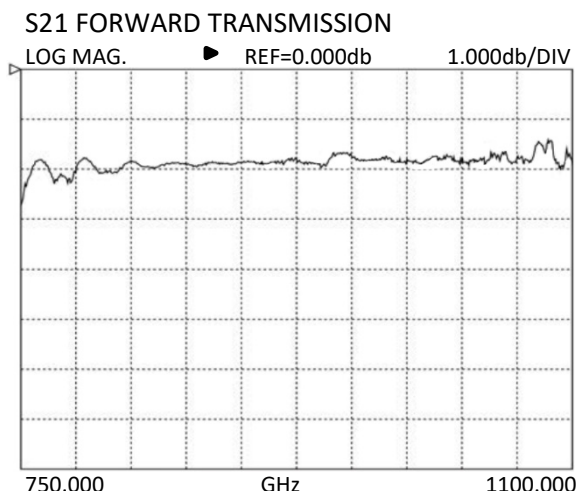
The Picoprobe Model SP-1100BT sets new standards in microwave probing performance. Benefiting from coaxial techniques, which have inherent low loss and low dispersion characteristics.

With its individually spring loaded, Beryllium-Copper tips, the Model 1100B Picoprobe provides reliable low resistance contacts. This reliable low resistance contact is one of the keys to providing highly repeatable measurements. The Model 1100B Picoprobe also allows direct viewing of the probe tips for accurate positioning.

The Model 1100B Picoprobe bias T provides a direct low resistance DC path for supplying up to 100 mA to a device under test. The bias T also has special circuits which add loss at frequencies below the waveguide cut off frequency



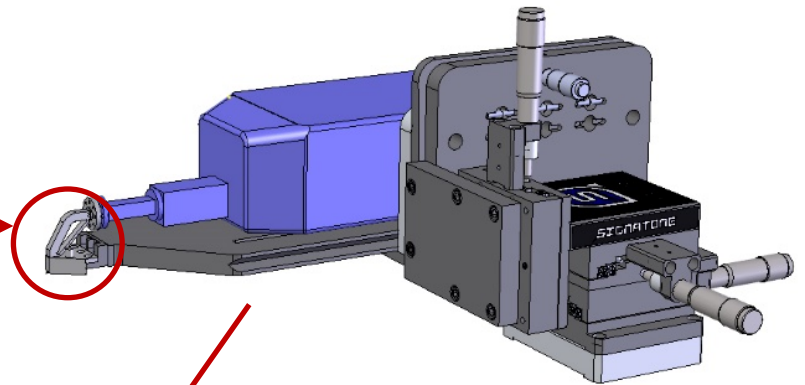
Typical uncalibrated performance of a Model SP-1100BT-GSG-25 while touching a 50 ohm load on our CS-15 calibration substrate.



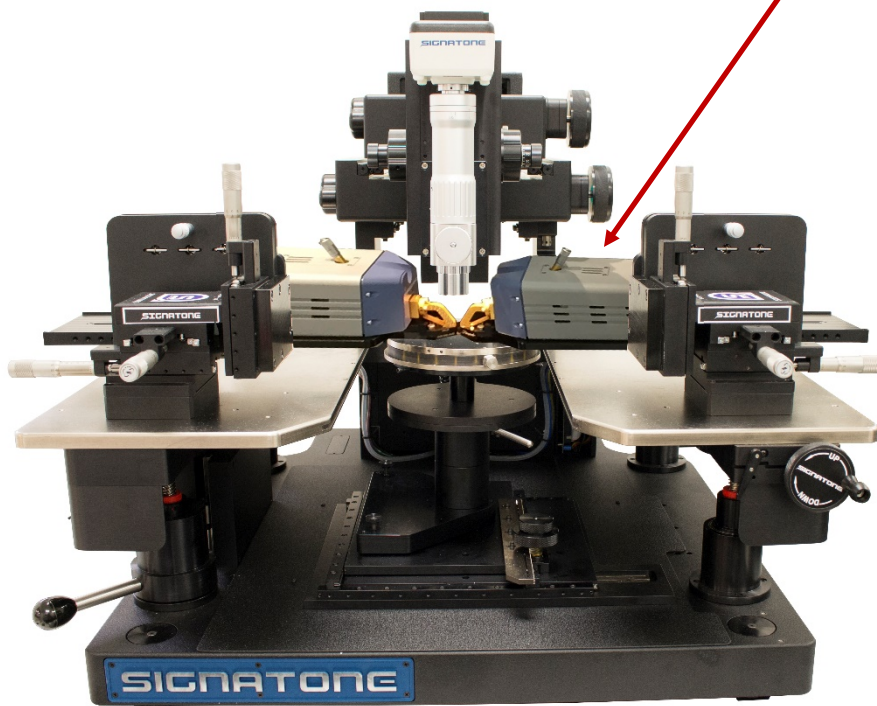
Typical insertion loss of a Model SP-1100BT-GSG-25, which includes the integrated two inch section of WR-1.0 waveguide.

❖ **Probe Mounting and Dimensions**

Model SP-1100BT  
750GHz -1100GHz  
Microwave Probe



Signatone S-LAP-90 Large Area Positioner for mounting 50-1100GHz probes directly to the Frequency Extender with wave guide.

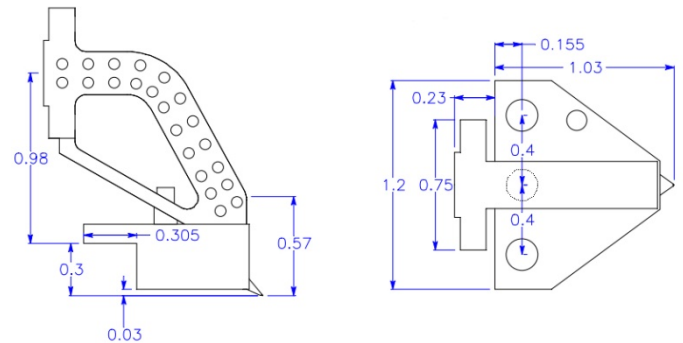
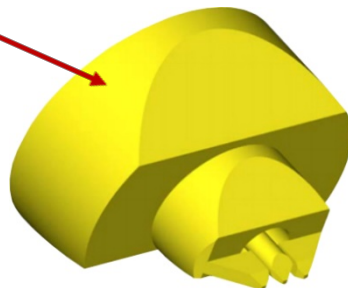


Micropositioners are available to hold virtually all the current models of Frequency extenders and tuners modules so that the module and the probe are moved and positioned as a unit (together). In this way, total ease of positioning can be achieved with minimum insertion loss.

Image Left: Shows WaveLink 170-THZ probe station with East & West S-LAP-90 Positioners, 325 GHz probes attached to Frequency Extenders.

**Scale Drawing Of A 25 Micron Pitch Model SP-1100BT Probe Tip Assembly**

A new smaller coax was developed for the Model SP-1100BT utilizing a 25 micron Au plated BeCu center conductor. The ground contacts are formed from 15 micron thick BeCu and extend just 38 microns from the end of the fully shielded coax.



Model SP-1100BT Waveguide Dimensions

## ❖ WARRANTY

---

- Standard Warranty 12 months \*
- For Extended Warranty and Service Contracts : Contact Signatone Corp. for more information

\* See *Signatone Corporate Terms and Conditions of Sale* for further details.

---

- **North America:** [Sales.NA@signatone.com](mailto:Sales.NA@signatone.com)
- **Europe:** [Sales.Europe@signatone.com](mailto:Sales.Europe@signatone.com)
- **Asia:** [Sales.Asia@signatone.com](mailto:Sales.Asia@signatone.com)

