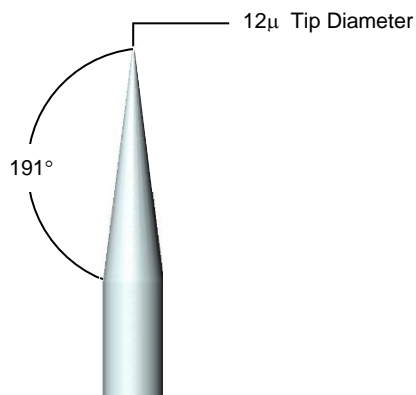


## Signatone Multi Purpose Probe Tips

### ❖ Model SE-P

- Material-Palladium
- Point /Tip - Diameter = 12 $\mu$
- Length = 19mm / 0.75"
- Shank Diameter = 0.63mm
- Fabrication - Precision Ground
- Typical Use - 25 $\mu$  to 400 $\mu$  Pad - Metal
- Typical Test – General, DC, Hi Power



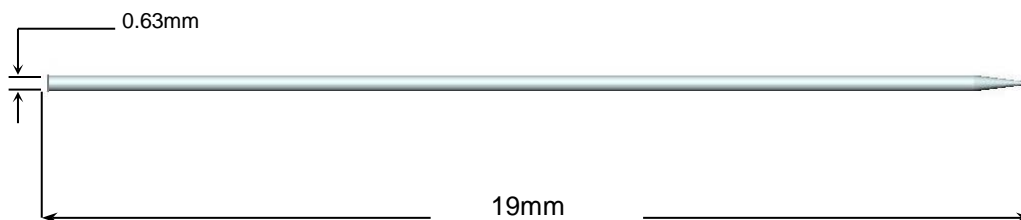
### ❖ A Tip for Every Test

Model SE-P (Ground Tip)

**Offering a wide variety of passive probe tips to suit virtually every probing requirement.**

The most common style probe tip (referred to as "Hard-TIP") includes a taper or angle from the probe shaft to the tip. This effect is achieved by etching or a grinding process on the material allowing more mass at the tip end. (recommended for probing through passivation or hard materials)

The SE-P is a Unique Probe tip made with a 19mm /0.75" long, 0.63mm diameter palladium wire that has been precision ground down to 12 $\mu$  (micron). The shank may be bent into a variety of shapes to meet the most probing configurations This tip is designed for probing on (soft materials). typical 25 $\mu$  to 400 $\mu$  pads or structures.



Tips are sold by the box including quantity of 5 tips



## ❖ WARRANTY

---

- Standard Warranty 12 months \*
- Note: Probe Tips, Probe Tip Holders, and 4-Point Probe Heads are considered consumable items and are not covered under the standard warranty

*\* See Signatone Corporate Terms and Conditions of Sale for further details.*

---

- **North America:** [Sales.NA@signatone.com](mailto:Sales.NA@signatone.com)
- **Europe:** [Sales.Europe@signatone.com](mailto:Sales.Europe@signatone.com)
- **Asia:** [Sales.Asia@signatone.com](mailto:Sales.Asia@signatone.com)

