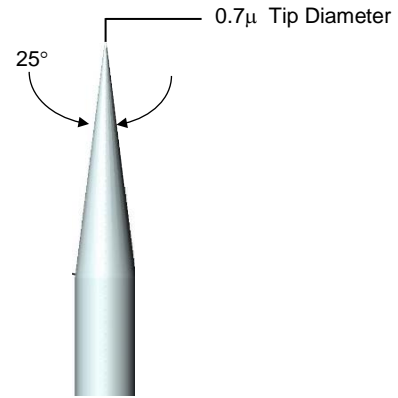


## Signatone Multi Purpose Probe Tips

### ❖ Model SM-35

- Material-Tungsten Tip
- Point /Tip - Diameter =  $0.7\mu$
- Length = 30.5mm / 1.2"
- Shank Diameter = 0.51mm
- Fabrication – Chemical Etch
- Typical Use -  $.7\mu$  to  $5\mu$  delicate structures
- Typical Test – Special, DC, CV/IV



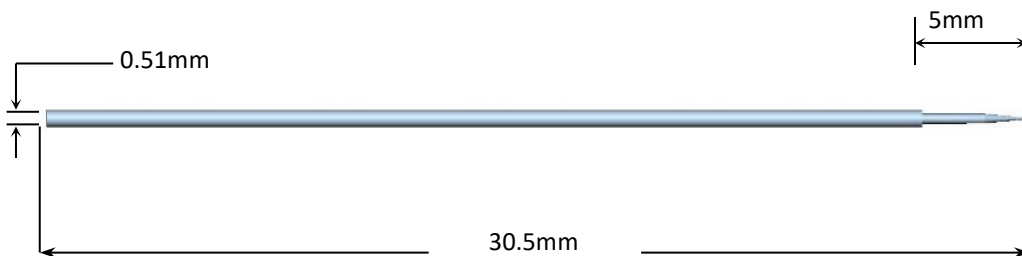
### ❖ A Tip for Every Test

Model SM-35 (Etched Tip)

**Offering a wide variety of passive probe tips to suit virtually every probing requirement.**

This uncommon style probe tip (referred to as "Cat Whisker") includes a small wire welded to a larger wire that is tapered to a fine tip. This effect/ taper is achieved by a very precise etching process (recommended for probing delicate line or structures.)

The SM-35 is a Special-purpose "Cat Whisker" probe tip with an overall length of 30.5mm/ 1.2" made with a 0.51mm diameter nickel plated copper wire that includes a 0.127mm tungsten wire welded to the end of the shank. The tip has been chemically etched to  $0.7\mu$ . The shaft may be bent to support virtually any probing configuration. The flexible tip minimizes damage to integrated circuits and allows probing of the device for a much longer period of time. Typical use: probing submicron – delicate



Tips are sold by the box including quantity of 5 tips



## ❖ WARRANTY

---

- Standard Warranty 12 months \*
- Note: Probe Tips, Probe Tip Holders, and 4-Point Probe Heads are considered consumable items and are not covered under the standard warranty

*\* See Signatone Corporate Terms and Conditions of Sale for further details.*

---

- **North America:** [Sales.NA@signatone.com](mailto:Sales.NA@signatone.com)
- **Europe:** [Sales.Europe@signatone.com](mailto:Sales.Europe@signatone.com)
- **Asia:** [Sales.Asia@signatone.com](mailto:Sales.Asia@signatone.com)

